

- Note:** Please read and understand the Shelving Drawer Accessory Assembly/Owner's Manual before attempting installation, assembly, or use.
- Note:** Remove all items from the shipping containers and sort the components by type, size, etc. Refer to the illustrations on the following pages. If you need additional information about your Shelving Drawer Accessory, contact the Wenger Corporation using the information listed below.

WARRANTY

The GearBoss Shelving Drawer Accessory is guaranteed free of defects in materials and workmanship for five full years.

Our guarantee assures you of either a full refund or repair or replacement of the defective materials or workmanship without charge, at the discretion of our Customer Service Department. Just call a Customer Service Representative at 1-800-887-7145 and state the reason you are dissatisfied. If a product return is necessary, your representative will issue a return authorization. This is your sole remedy for breach of this warranty.

Should you have a question or problem with any Wenger product, don't hesitate to call, even if the product is past warranty. It's important to us that all our customers be satisfied.

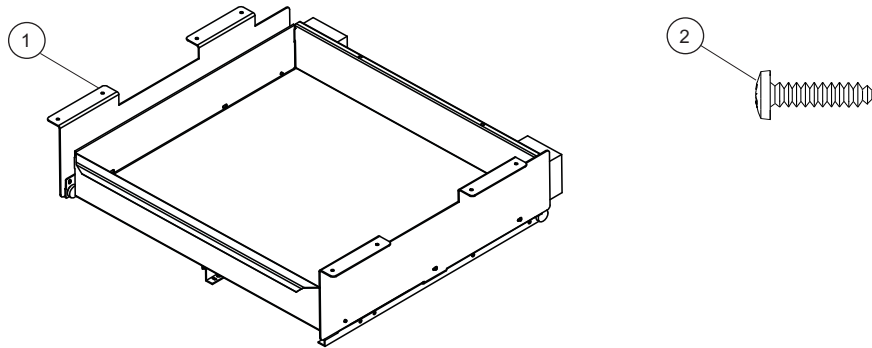
This is the sole warranty made by Wenger. Wenger disclaims all other warranties, including the warranties of merchantability and fitness for a particular purpose, as well as all liability for incidental, consequential, special, and indirect damage. Wenger liability for direct damages shall be limited to the amount you paid for the product involved. Wenger reserves the right to make product changes without obligation to incorporate such changes into products previously sold.

Some states do not allow the exclusion or limitation of damages or warranties, so the above may not apply to you. This warranty gives you specific legal rights. You may also have other rights which vary from state to state.

REQUIRED TOOLS

- Cordless Drill with Phillips Bit
- 1/8" Drill Bit

PARTS LIST



<u>Item</u>	<u>Qty</u>	<u>Description</u>
1	1	DRAWER ASSEMBLY
2	8	SHEET METAL SCREW #10-16 X 7/8"

SHELVING DRAWER INSTALLATION

Note: The installation of the Shelving Drawer requires two people.

1. Center the Drawer Assembly (#1) under the Workstation between the shelving tubes.
Note: Place the Drawer Assembly brackets between the first and second shelving tubes.
2. With one person holding the Shelving Drawer in place, drill eight 1/8" holes. Holes are to be 7/8" deep.
Note: Be careful not to drill holes too deep.
3. Secure the Shelving Drawer to the Workstation using eight Machine Screws, #10-16 x 7/8" (#2).

